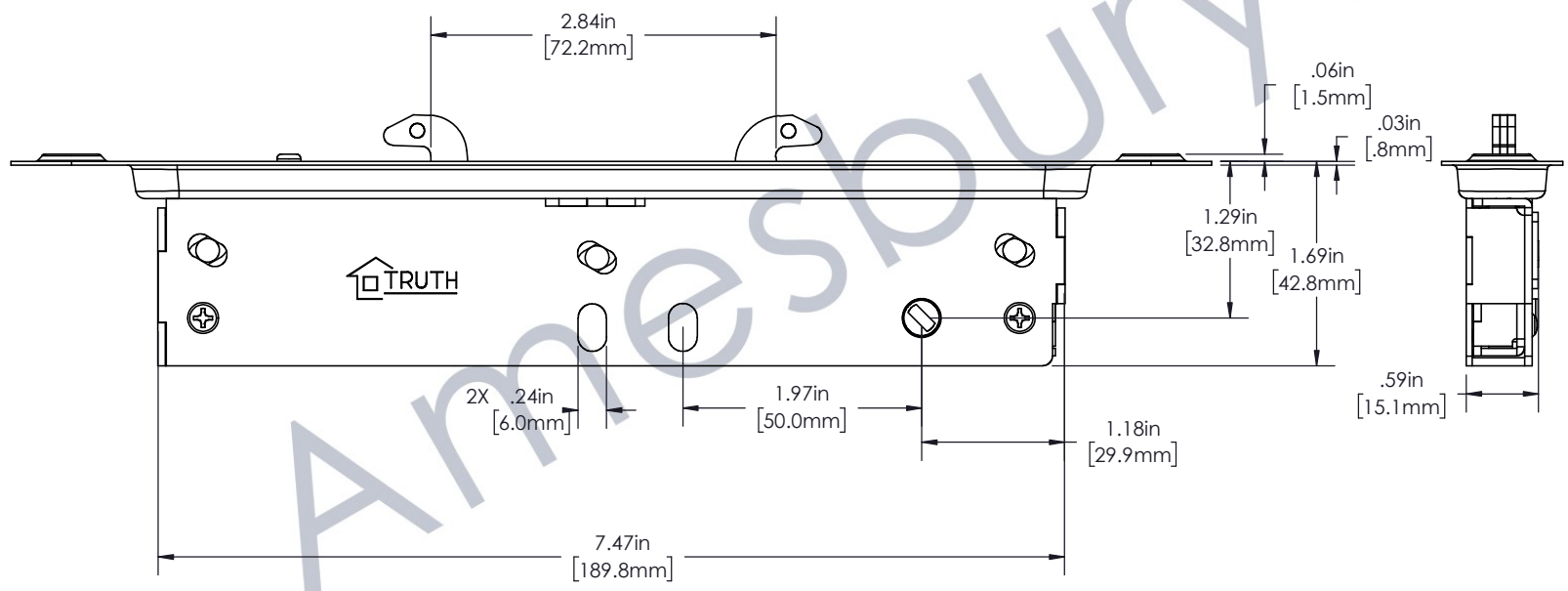
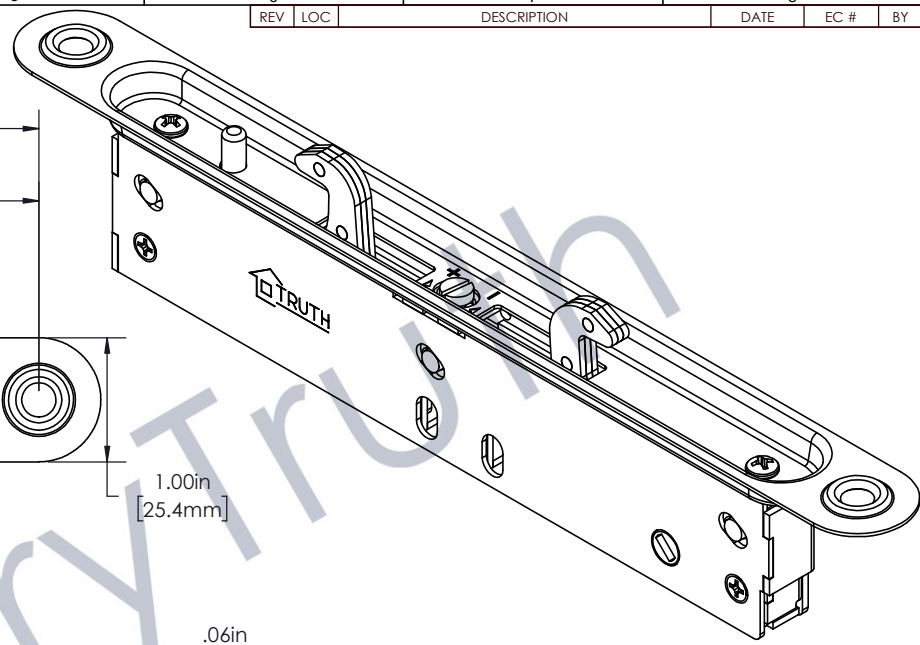
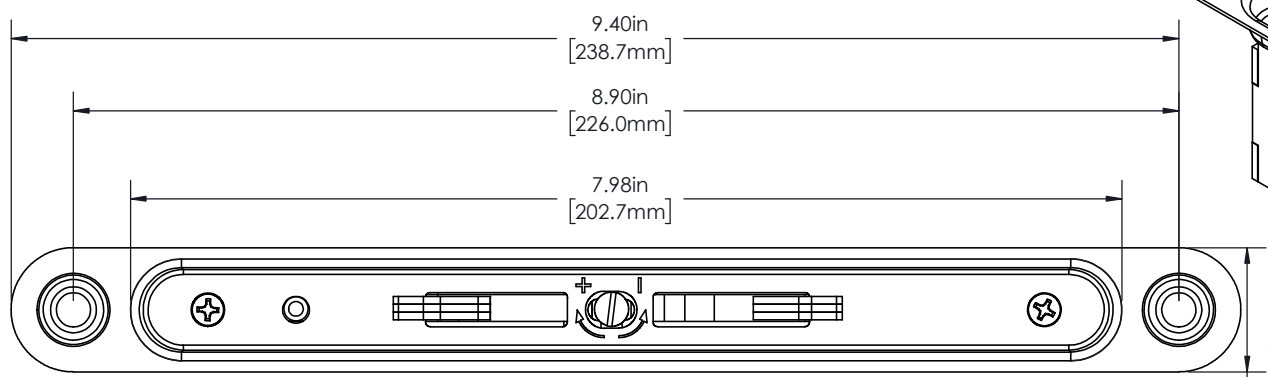


REV	LOC	DESCRIPTION	DATE	EC #	BY
-----	-----	-------------	------	------	----



CUSTOMER PAGE

MATERIAL:	
FINISH:	
HEAT TREAT:	
SURFACE AREA: IN ²	WEIGHT: LBS

Amesbury Truth
Engineered Solutions. Trusted Results.

THE INFORMATION CONTAINED IN THIS DRAWING IS CONFIDENTIAL AND PROPRIETARY. THIS DRAWING IS NOT TO BE COPIED OR REPRODUCED IN WHOLE OR IN PART WITHOUT EXPRESS WRITTEN PERMISSION.

INTERPRET PER: ASME Y14.5M-2009
UNITS: INCH
THIRD ANGLE PROJECTION

DRAWING TITLE: NEXUS TWO-POINT MORTISE LOCK 1IN RESESSED FACEPLATE EXTENDED HOOK ADJUSTMENT RANGE RAISED MOUNTING HOLES	
SCALE: 1:1	SHEET 1 OF 1
DRAWING #: 13329	